

UOP CLR-208 ADSORBENT

ADSORBENT FOR CHLORINE REMOVAL IN UOP LICENSED C₃ AND C₄ OLEFLEX™ UNITS

DESCRIPTION

UOP CLR-208 non-regenerative adsorbent is the recommended product for removing trace HCl from olefin containing hydrocarbon streams. CLR-208 adsorbent provides the highest chloride capacity (and resultant longest adsorbent life) in the Oleflex unit's severe service, while minimizing green oil and organic chloride formation. Features and benefits include:

- Optimized pore size distribution leading to higher capacity
- High degree of macro-porosity for rapid adsorption and short mass transfer zone
- Ability to handle "heavies" carryover while retaining its superior HCl adsorption capacity
- High surface area substrate to extend bed life
- Customized adsorbent for ultra low activity in process streams

APPLICATION

CLR-208 adsorbent is used to treat the streams exiting UOP C₃ (PDH) and C₄ Oleflex unit reactors.

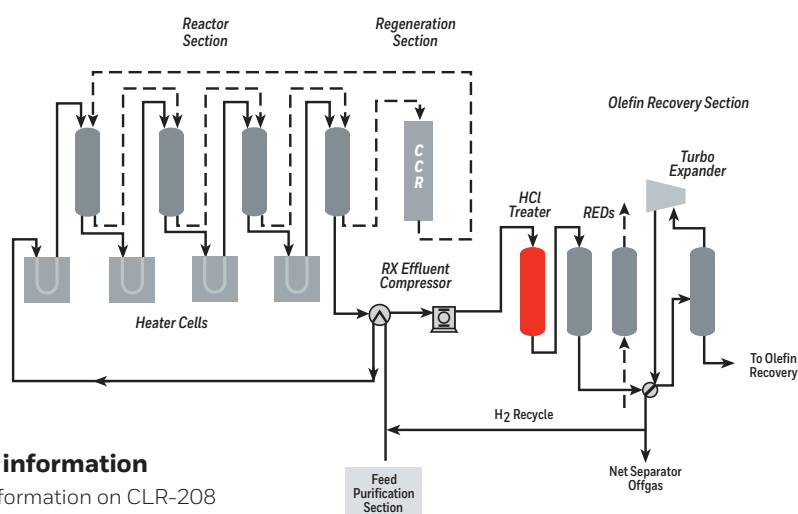
REGENERATION

P-310 adsorbent can be regenerated for reuse by purging or evacuating at elevated temperatures.

TYPICAL PHYSICAL PROPERTIES (NOMINAL)

	Beads
Bulk density (lb/ft ³)	47
(kg/m ³)	753
Crush strength* (lb)	5
(kg)	2.3
Loss on ignition (Wt%)	7

Oleflex™ Process



For more information

For more information on CLR-208 adsorbent or other UOP adsorbents, please contact your UOP representative or visit us online at www.uop.com.

UOP LLC, A Honeywell Company

25 East Algonquin Road
Des Plaines, IL 60017-5017, U.S.A.
www.uop.com

The information in this document should not be construed as a representation for which UOP assumes legal responsibility, or an authorization or recommendation to practice a patented invention without a license.

UOP-CLR-208-Adsorbent-datasheet | 2.0 | 09/22
© 2022 UOP LLC. All rights reserved.



Optimize operating costs of your Oleflex Unit by using a high capacity chloride adsorbent

PACKAGING AND HANDLING

- Available in either steel drums or quick load bags
- CLR-208 adsorbent should be kept sealed in a dry location
- Safe loading and unloading of the adsorbent from your equipment is imperative to ensure you realize the full potential of CLR-208 adsorbent. For proper safety and handling, please contact your UOP representative
- Contact your local regulatory agency to determine the best solution for waste disposal

TECHNICAL SERVICE

UOP has the products, expertise and processes that our refining, petrochemical and gas processing customers need for total solutions. From start to finish, our global sales, service and support staff are here to help ensure your process challenges are met with proven technology. Our extensive service offerings, coupled with our unmatched technical knowledge and experience, can help you focus on profitability.